



Red: PAINTED ITEMS
Blue: KITS

1. All labeled components are to be assembled before shipment unless otherwise noted.
2. All bearings are to be pressed in with force applied to outer ring only.
3. All hardware to be torqued to specs listed in chart below.
4. Special notes if any are shown below.

Customer Service & Parts 800/ 235-2233
General Parts Requests: parts@medfitsys.com
Warranty Field Service Requests: servicerequest@medfitsys.com
Med-Fit Systems, Inc. 800/ 831-7665

www.medfitsystems.com

| Number | Qty. | DESCRIPTION | Number | Qty. | DESCRIPTION |
|---------|------|--|----------------|------|--|
| 01-0011 | 3 | 1/2 -13 UNC x 3 Bolt | 07-9987 | 1 | CHEST PAD MOUNT |
| 01-1185 | 1 | 3/8 -16 UNC x 3 1/2 Bolt | 07-9988 | 1 | SEAT PIVOT SLEEVE |
| 01-1258 | 2 | 1/2 -13 UNC x 3/4 Bolt | 08-2056 | 2 | MOLDED SHAFT SPACER |
| 01-1271 | 2 | 1/2 -13 UNC x 1 1/4 Bolt | 09-1004 | 1 | .500 ID X 3" CLOSED END |
| 01-1490 | 2 | 5/8-11 UNC x 2 Bolt | 09-1023 | 2 | HAND GRIP OPEN ENDS |
| 01-1552 | 3 | 3/8 -16 UNC x 4 Bolt | 09-2070 | 1 | 2 X 2 11 GA FRAME PLUG |
| 01-1553 | 1 | 3/8 -16 UNC x 4 1/2 Bolt | 09-2090 | 2 | 2 X 3 X 11 GA FRAME PLUG |
| 01-1564 | 3 | 1/2 -13 UNC x 4 1/2 Bolt | 09-3055 | 2 | 2 X 4 11 GA FRAME PLUG |
| 01-1565 | 2 | 1/2 -13 UNC x 5 Bolt | 09-4080 | 2 | RUBBER BUMPER OLD RB# 1 |
| 01-2190 | 2 | 5/8-11 UNC x 3 Bolt | 09-5030 | 2 | FOOTPAD MOLDED BLACK |
| 01-2220 | 1 | 5/8-11 UNC x 4 1/2 Bolt | 09-5046 | 6 | Nitro Plus Footpad |
| 01-4035 | 4 | 1/4 -20 UNC x 1 1/4 Wiz Lock Bolt | 09-8018 | 2 | GUIDE ROD BUSHING |
| 01-4038 | 1 | BOLT BH , 1/2 -13 x 2 1/2" | 09-8172 | 2 | 1 3/4 DIA HOLE PLUG |
| 02-1060 | 2 | BOLT BH , 1/4 -20 x 2 1/4" | 09-8329 | 2 | WIDE PULLEY 3" DIA |
| 02-2290 | 2 | 1/4 -20 UNC x 1 1/4" FLAT HEAD SC SCREW SS | 09-8330 | 1 | REDIRECTIONAL PULLEY 4" |
| 02-3055 | 4 | SCREW, SET, 1/4 -28 UNF x 1/4 | 09-9060 | 2 | SUPPORT SLEEVE |
| 02-4129 | 1 | SCREW, SET, 1/4 -20 UNC x 1/4 | 09-9505 | 2 | GRIP CAP 1.030 ID (FOR 1" BAR) |
| 02-9071 | 1 | 3/8 -16 UNC x 3 3/4 Bolt | 09-9535 | 2 | GRIP RING 1.045 ID (FOR 1" BAR) |
| 02-9210 | 4 | 3/8 -16 UNC x 1 Bolt | 09-9590 | 2 | TUBE INSERT .760 ID PN3043-4-1 |
| 03-1035 | 6 | 3/8" Lock Nut | 10-1022 | 1 | Extension Spring |
| 03-1055 | 9 | 1/2" Nylon Insert Lock Nut-Thin | 10-1025 | 1 | SPRING, TORSION |
| 03-1067 | 2 | 5/8" Lock Nut | 10-3085 | 1 | MR TORSION SPRING |
| 03-4290 | 2 | 1/4" Whiz Nut | 12-1001 | 1 | SEAT INDICATOR BLACK |
| 03-5101 | 2 | 1/4" Hex Nut | 12-1026 | 2 | DECAL, KEEP HANDS AWAY |
| 03-5119 | 2 | 5/8" RH Fine Thread Jam Nut | 12-1104 | 1 | SEAT ADJUSTMENT DECAL 1-11 |
| 04-5206 | 10 | WASHER, FLAT, 3/8" SAE | 12-1146 | 1 | SEAT ADJ DECAL 1 |
| 04-5207 | 12 | WASHER, FLAT, 1/2" SAE | 12-1154 | 1 | MID ROW PAD ADJUST DECAL |
| 04-5208 | 3 | WASHER, FLAT, 5/8" SAE | 12-1299 | 1 | DECAL 1-8 BLACK HORIZONTAL |
| 04-5225 | 2 | 1/4" Internal Loc Washer | 12-1380 | 1 | DECAL PATENT MEDFIT MADE IN USA |
| 05-1190 | 2 | Bronze Bushing | 12-5611 | 1 | Nautilus Transfer Decal - Large BLACK |
| 05-5105 | 2 | .500 ID Bushing (IGUS Replacement) | 12-6046 | 1 | Made In USA - Seat Frames |
| 06-8163 | 2 | Snap Ring, 2 1/4" External | 12-6058 | 1 | PLACARD & SHIELD FRONT S9MR |
| 06-8180 | 1 | Snap Ring, 1 1/2" External | 12-6071 | 1 | PLACARD & SHIELD BACK BF601 S9 |
| 06-8263 | 2 | Snap Ring, Internal, 1 9/16" | 12-7050 | 1 | EVO Weight Selector Pin Decal |
| 06-8275 | 6 | Snap Ring, 17mm Heavy External | 17-1260 | 2 | STANDARD 45" GUIDE ROD |
| 06-9035 | 2 | ROD END 5/8-18 RH THREADS | 18-0017 (108") | 1 | MECTROL BELT 1" (108") |
| 07-5032 | 1 | SEAT TRACK | 19-1013 | 4 | TAPE DBL SIDED 2 3/4" WIDE |
| 07-5033 | 1 | SEAT TRACK BACK | 19-1291 | 1 | SERIAL NO. DECAL |
| 07-5034 | 3 | SEAT ROLLERS | 19-1342 | 4 | ROUND CR 2" DIA 1018-1020 |
| 07-5064 | 10 | 6203 RADIAL BEARING | 56-0217 | 1 | Clamp Belt ONE |
| 07-8230 | 1 | STANDARD SEAT CLEVIS PIN | 91-999 | 1 | Paint (1.5 lbs) |
| 07-8359 | 4 | IDLER PULLEY SPACER | 95-0470 | 1 | Kit 1, EVO Shields |
| 07-8363 | 2 | IDLER PULLEY SPACER | BF653 | 1 | MID ROW SIDE FRAME |
| 07-8684 | 1 | DOUBLE LOCK SEAT | BSF657 | 1 | NITRO MID ROW BASE |
| 07-8982 | 2 | STRAP CLAMP END (5/16 HOLES) | CM620 | 1 | MR CROSSMEMBER BRACE |
| 07-9276 | 2 | Nylon Slide - 1 1/2" Sq tube | CM621 | 1 | ADJUSTABLE SEAT BACK |
| 07-9277 | 1 | Molded Cap/Slide 2" SQ. Tube | HB603 | 2 | HANDLEBAR |
| 07-9376 | 3 | SEAT ROLLER SLEEVE | HB621 | 1 | MID ROW TRIGGER ASSY |
| 07-9424 | 2 | Nitro LatPulldown Draglinks | MA665 | 1 | NITRO MR MOVEMENT ARM |
| 07-9618 | 2 | HEIM JOINT SPACER [ZINC PLATE] | OPT-WT-25 | 1 | EVO 240 LB Weight Stack |
| 07-9849 | 2 | MOLDED BEARING CAP, Ti SERIES | SE612 | 1 | LAT PULL SEAT RELEASE HANDLE |
| 07-9876 | 2 | 1" BEARING MOLDED FLANGE | UP8080 | 1 | TAPERED SEAT PAD |
| 07-9894 | 1 | SPO COUNTERWEIGHT | UP8175 | 1 | MID ROW CHEST PAD |
| 07-9985 | 1 | MOUNT, Bearing Pivot | 12-6113 | 1 | Decal, Parts Diagram EVO MR |
| | | | 57-0611 | 1 | Pocket, Peel & Stick, Cardio Schematic |



**EVO Mid Row
S9MR**

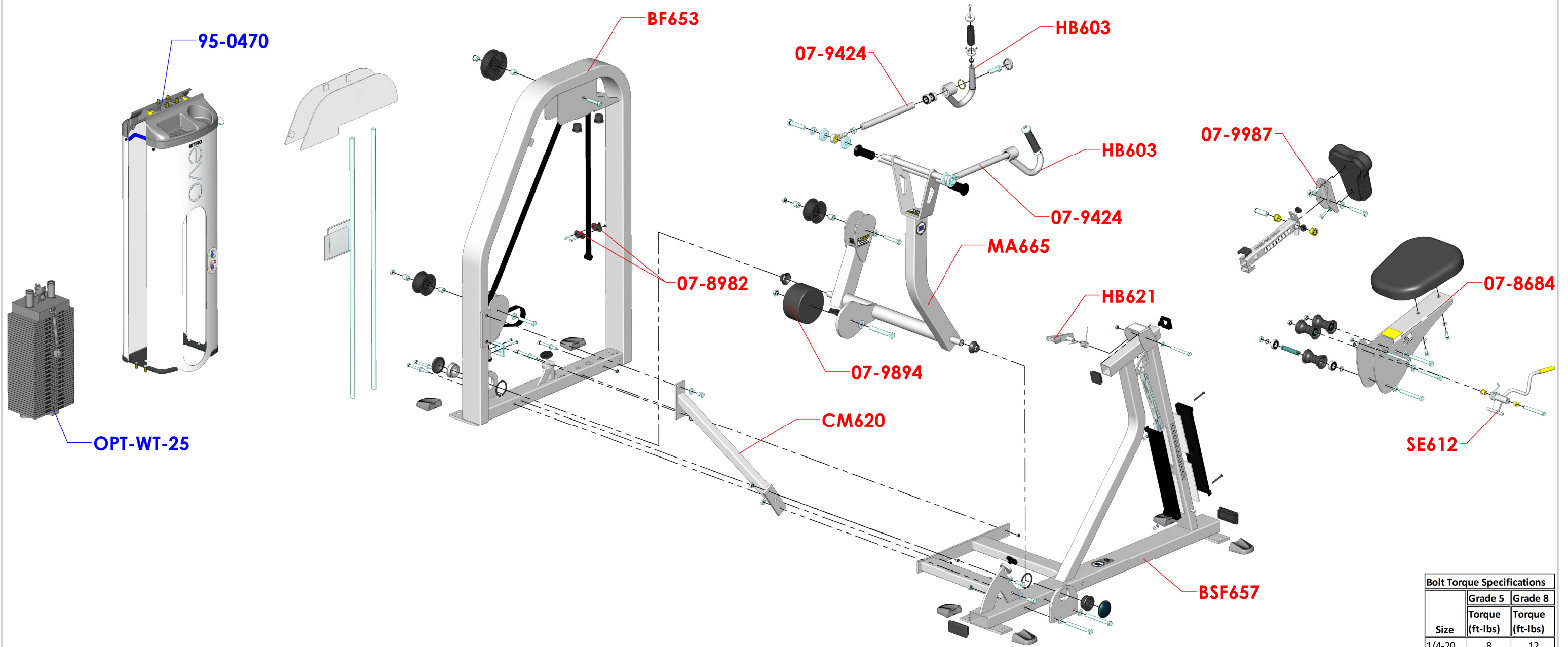
REV J

| Bolt Size | Bolt Torque Specifications | |
|-----------|-------------------------------|-------------------------------|
| | Grade 5 Torque (ft-lbs) | Grade 8 Torque (ft-lbs) |
| 1/4-20 | 8 | 12 |
| 1/4-28 | 10 | 14 |
| 5/16-18 | 17 | 25 |
| 3/8-16 | 30 | 45 |
| 7/16-14 | 50 | 70 |
| 1/2-13 | 75 | 110 |
| 1/2-20 | 90 | 120 |
| 5/8-11 | 150 | 220 |
| 5/8-18 | 180 | 240 |



Red: PAINTED ITEMS
Blue: KITS

1. All labeled components are to be assembled before shipment unless otherwise noted.
2. All bearings are to be pressed in with force applied to outer ring only.
3. All hardware to be torqued to specs listed in chart below.
4. Special notes if any are shown below.



| Bolt Torque Specifications | | |
|----------------------------|-----------------|-----------------|
| Size | Grade 5 | Grade 8 |
| | Torque (ft-lbs) | Torque (ft-lbs) |
| 1/4-20 | 8 | 12 |
| 1/4-28 | 10 | 14 |
| 5/16-18 | 17 | 25 |
| 3/8-16 | 30 | 45 |
| 7/16-14 | 50 | 70 |
| 1/2-13 | 75 | 110 |
| 1/2-20 | 90 | 120 |
| 5/8-11 | 150 | 220 |
| 5/8-18 | 180 | 240 |

Customer Service & Parts 800/ 235-2233
 General Parts Requests: parts@medfitsys.com
 Warranty Field Service Requests: servicerequest@medfitsys.com
 Med-Fit Systems, Inc. 800/ 831-7665

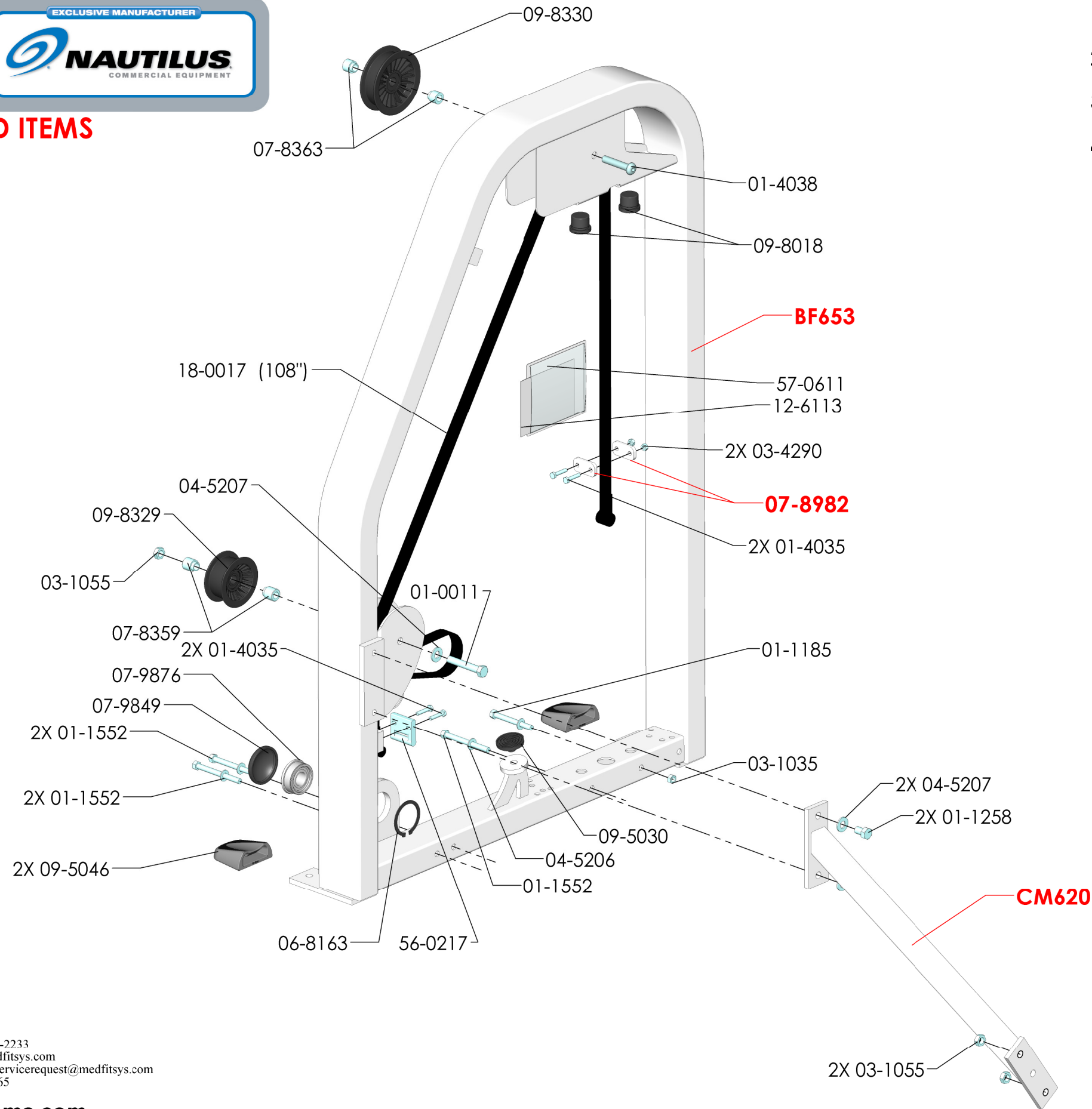
www.medfitsystems.com

EVO Mid Row
S9MR

REV J



Red: PAINTED ITEMS
Blue: KITS



1. All labeled components are to be assembled before shipment unless otherwise noted.
2. All bearings are to be pressed in with force applied to outer ring only.
3. All hardware to be torqued to specs listed in chart below.
4. Special notes if any are shown below.

Customer Service & Parts 800/ 235-2233
 General Parts Requests: parts@medfitsys.com
 Warranty Field Service Requests: servicerequest@medfitsys.com
 Med-Fit Systems, Inc. 800/ 831-7665

www.medfitsystems.com

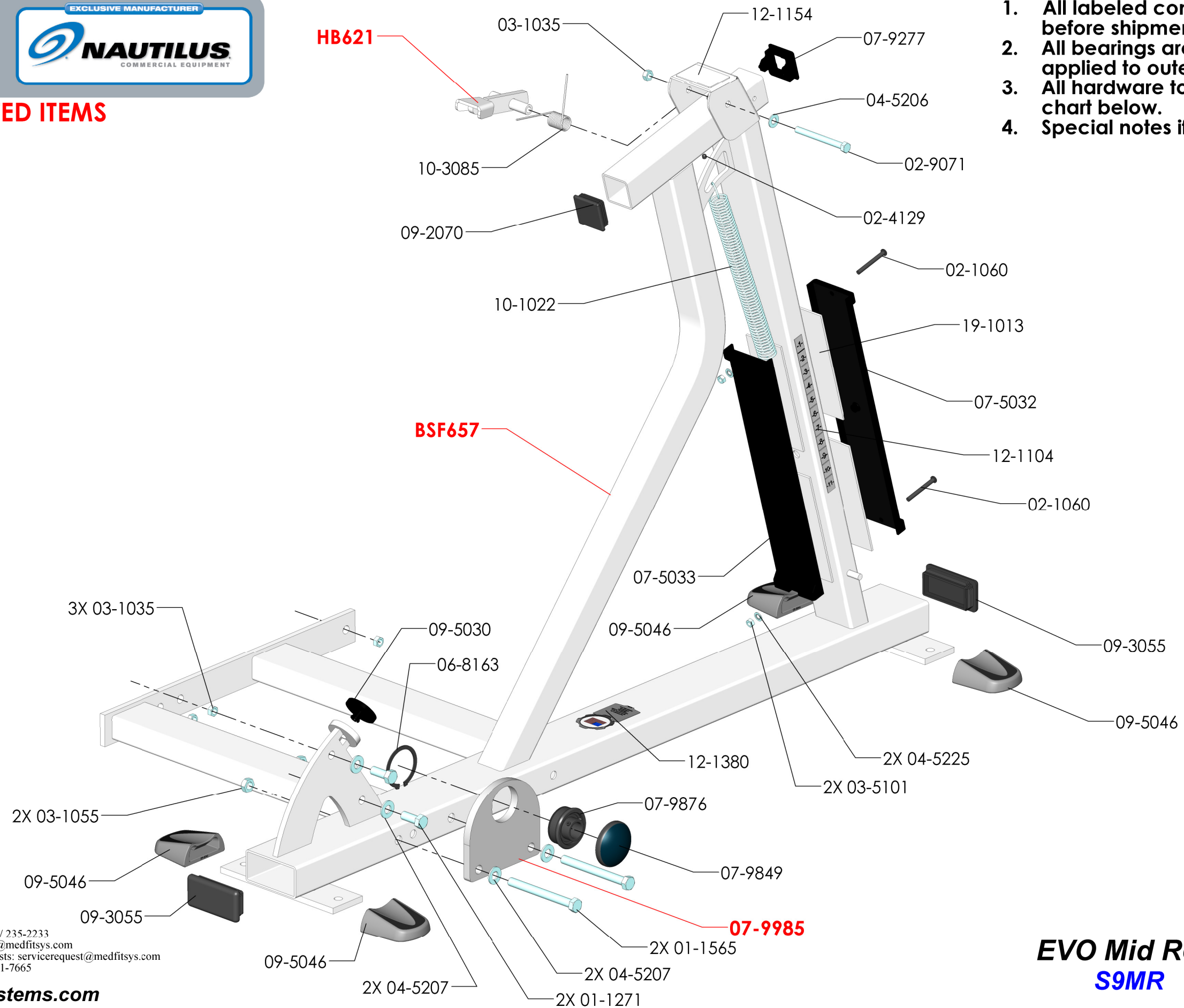
| Bolt Torque Specifications | | |
|----------------------------|-----------------|-----------------|
| Size | Grade 5 | Grade 8 |
| | Torque (ft-lbs) | Torque (ft-lbs) |
| 1/4-20 | 8 | 12 |
| 1/4-28 | 10 | 14 |
| 5/16-18 | 17 | 25 |
| 3/8-16 | 30 | 45 |
| 7/16-14 | 50 | 70 |
| 1/2-13 | 75 | 110 |
| 1/2-20 | 90 | 120 |
| 5/8-11 | 150 | 220 |
| 5/8-18 | 180 | 240 |

EVO Mid Row
S9MR

REV J



Red: PAINTED ITEMS
Blue: KITS



1. All labeled components are to be assembled before shipment unless otherwise noted.
2. All bearings are to be pressed in with force applied to outer ring only.
3. All hardware to be torqued to specs listed in chart below.
4. Special notes if any are shown below.

Customer Service & Parts 800/ 235-2233
General Parts Requests: parts@medfitsys.com
Warranty Field Service Requests: servicerequest@medfitsys.com
Med-Fit Systems, Inc. 800/ 831-7665

www.medfitsystems.com

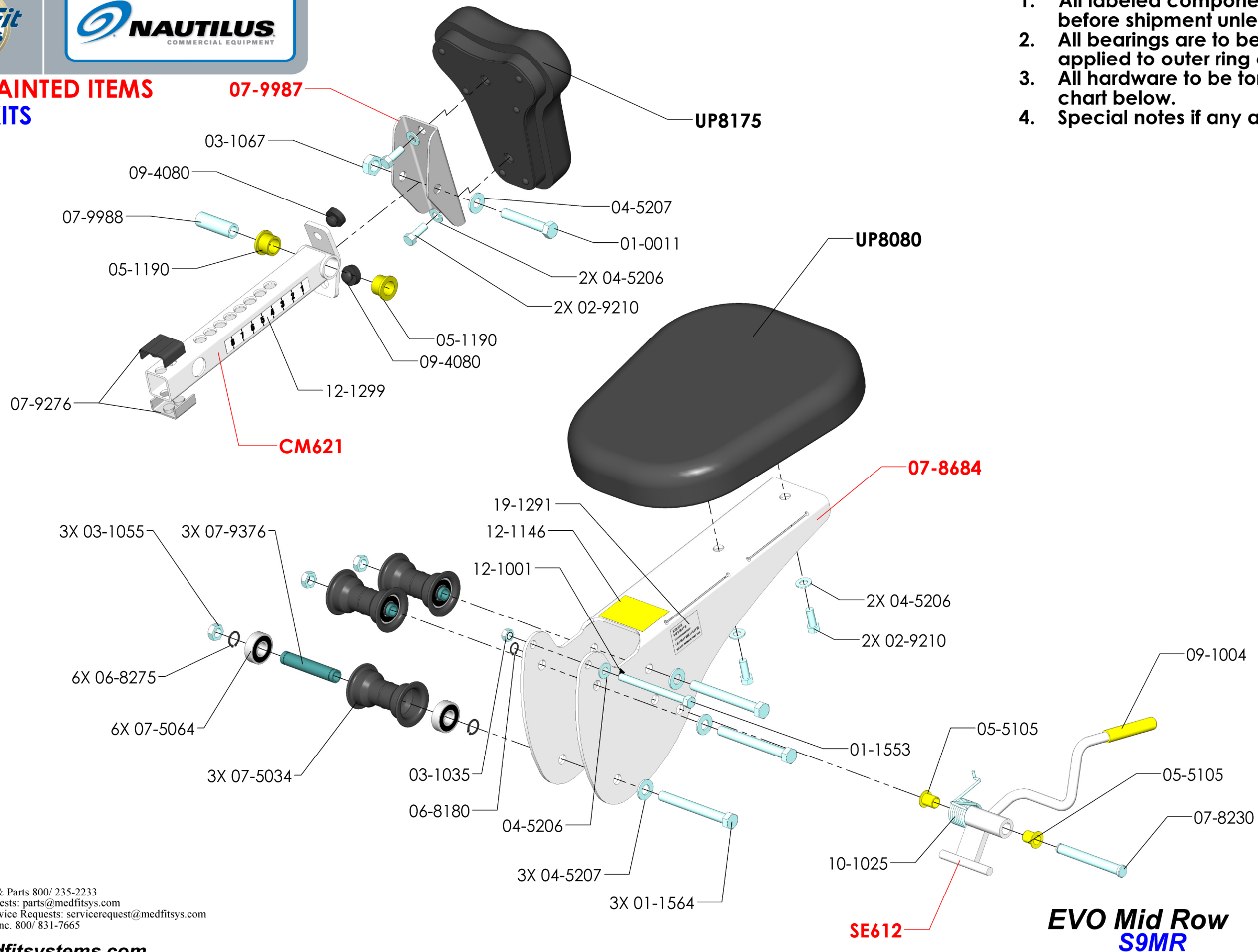
EVO Mid Row
S9MR

REV J

| Bolt Torque Specifications | | |
|----------------------------|-----------------|-----------------|
| Size | Grade 5 | Grade 8 |
| | Torque (ft-lbs) | Torque (ft-lbs) |
| 1/4-20 | 8 | 12 |
| 1/4-28 | 10 | 14 |
| 5/16-18 | 17 | 25 |
| 3/8-16 | 30 | 45 |
| 7/16-14 | 50 | 70 |
| 1/2-13 | 75 | 110 |
| 1/2-20 | 90 | 120 |
| 5/8-11 | 150 | 220 |
| 5/8-18 | 180 | 240 |



Red: PAINTED ITEMS
Blue: KITS



1. All labeled components are to be assembled before shipment unless otherwise noted.
2. All bearings are to be pressed in with force applied to outer ring only.
3. All hardware to be torqued to specs listed in chart below.
4. Special notes if any are shown below.

Customer Service & Parts 800/ 235-2233
General Parts Requests: parts@medfitsys.com
Warranty Field Service Requests: servicerequest@medfitsys.com
Med-Fit Systems, Inc. 800/ 831-7665

www.medfitsystems.com

| Bolt Torque Specifications | | |
|----------------------------|-----------------|-----------------|
| Size | Grade 5 | Grade 8 |
| | Torque (ft-lbs) | Torque (ft-lbs) |
| 1/4-20 | 8 | 12 |
| 1/4-28 | 10 | 14 |
| 5/16-18 | 17 | 25 |
| 3/8-16 | 30 | 45 |
| 7/16-14 | 50 | 70 |
| 1/2-13 | 75 | 110 |
| 1/2-20 | 90 | 120 |
| 5/8-11 | 150 | 220 |
| 5/8-18 | 180 | 240 |

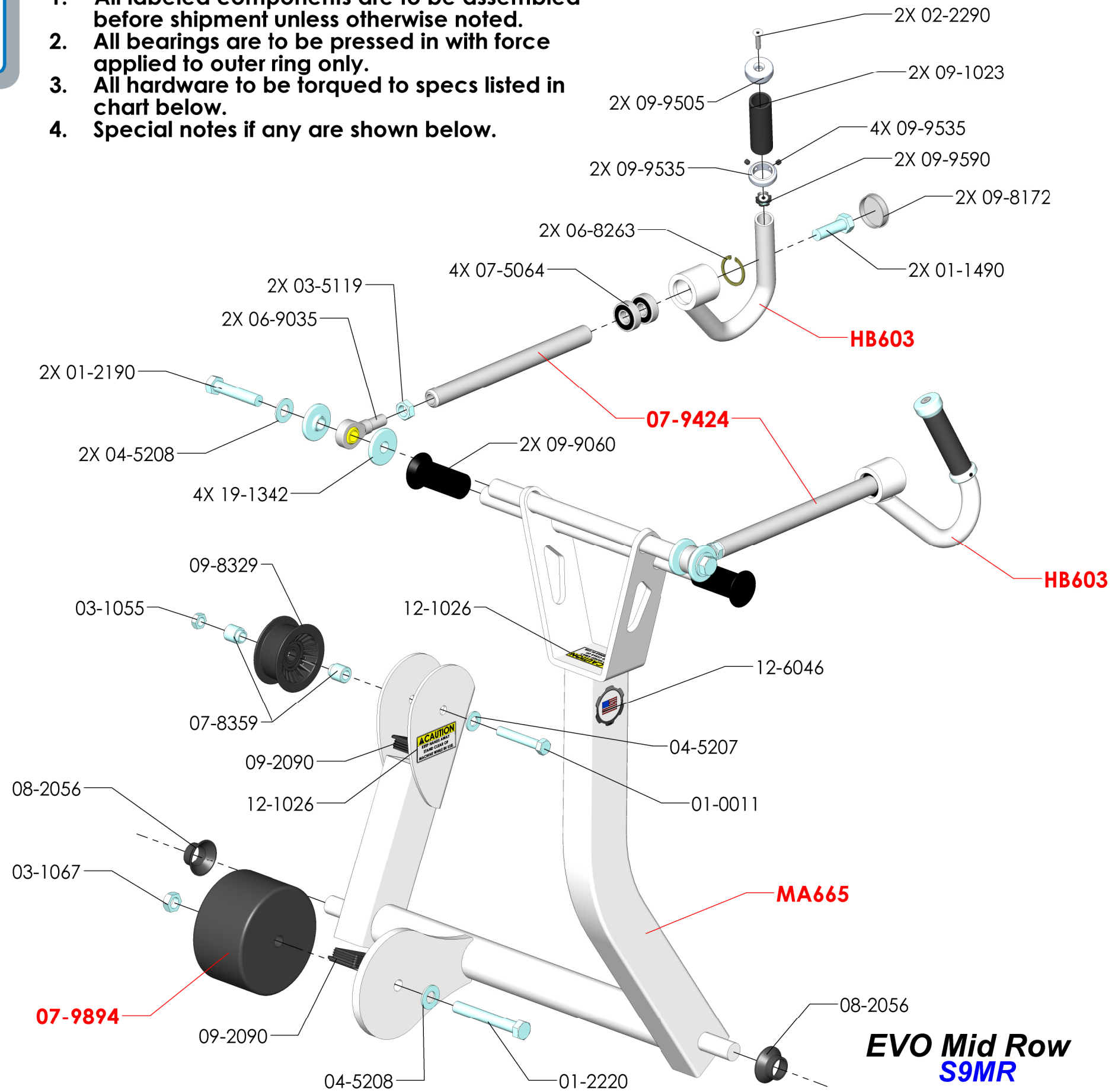
REV J

EVO Mid Row
S9MR



Red: PAINTED ITEMS
Blue: KITS

1. All labeled components are to be assembled before shipment unless otherwise noted.
2. All bearings are to be pressed in with force applied to outer ring only.
3. All hardware to be torqued to specs listed in chart below.
4. Special notes if any are shown below.



Customer Service & Parts 800/ 235-2233
General Parts Requests: parts@medfitsys.com
Warranty Field Service Requests: servicerequest@medfitsys.com
Med-Fit Systems, Inc. 800/ 831-7665

www.medfitsystems.com

| Bolt Torque Specifications | | |
|----------------------------|-----------------|-----------------|
| Size | Grade 5 | Grade 8 |
| | Torque (ft-lbs) | Torque (ft-lbs) |
| 1/4-20 | 8 | 12 |
| 1/4-28 | 10 | 14 |
| 5/16-18 | 17 | 25 |
| 3/8-16 | 30 | 45 |
| 7/16-14 | 50 | 70 |
| 1/2-13 | 75 | 110 |
| 1/2-20 | 90 | 120 |
| 5/8-11 | 150 | 220 |
| 5/8-18 | 180 | 240 |

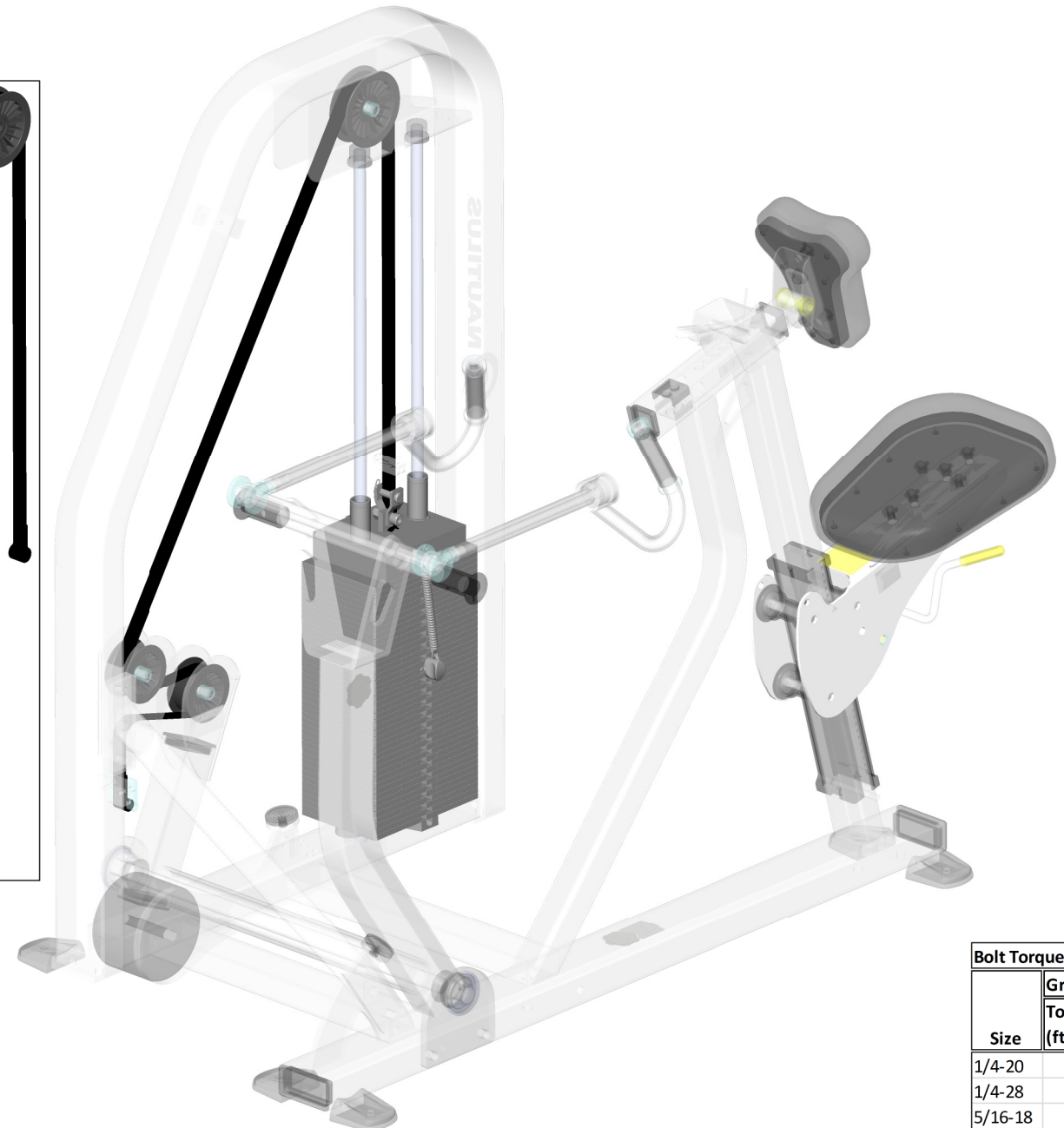
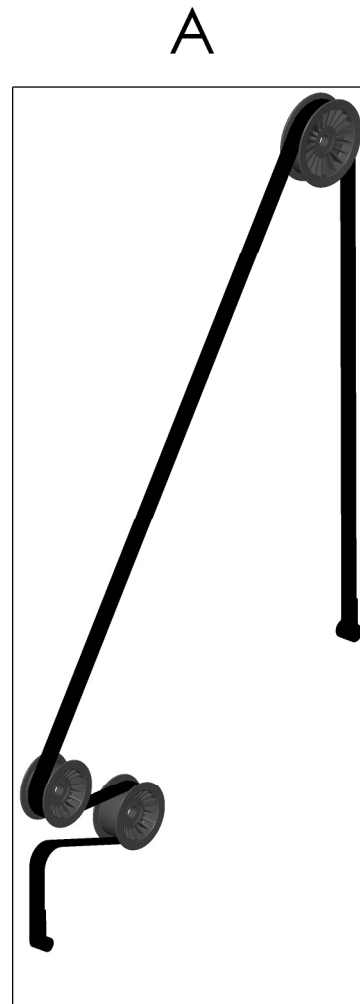
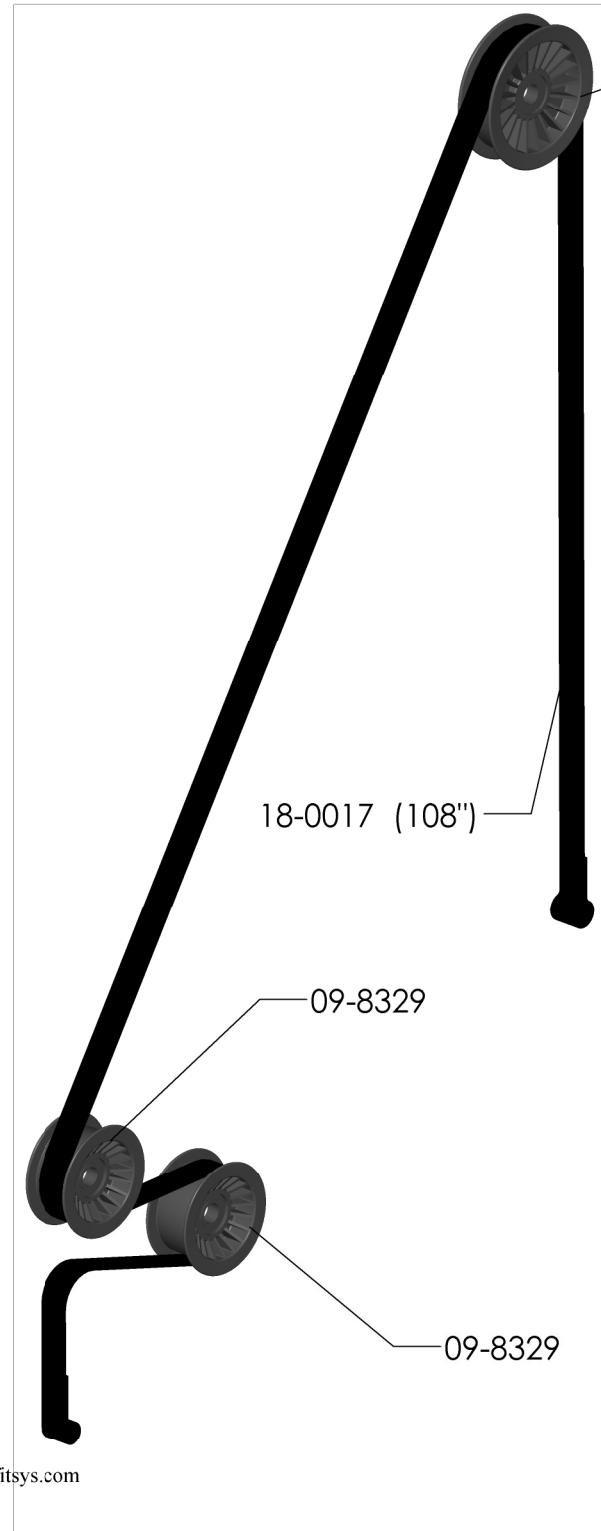
EVO Mid Row
S9MR

REV J



Red: PAINTED ITEMS
Blue: KITS

1. All labeled components are to be assembled before shipment unless otherwise noted.
2. All bearings are to be pressed in with force applied to outer ring only.
3. All hardware to be torqued to specs listed in chart below.
4. Special notes if any are shown below.



EVO Mid Row
S9MR

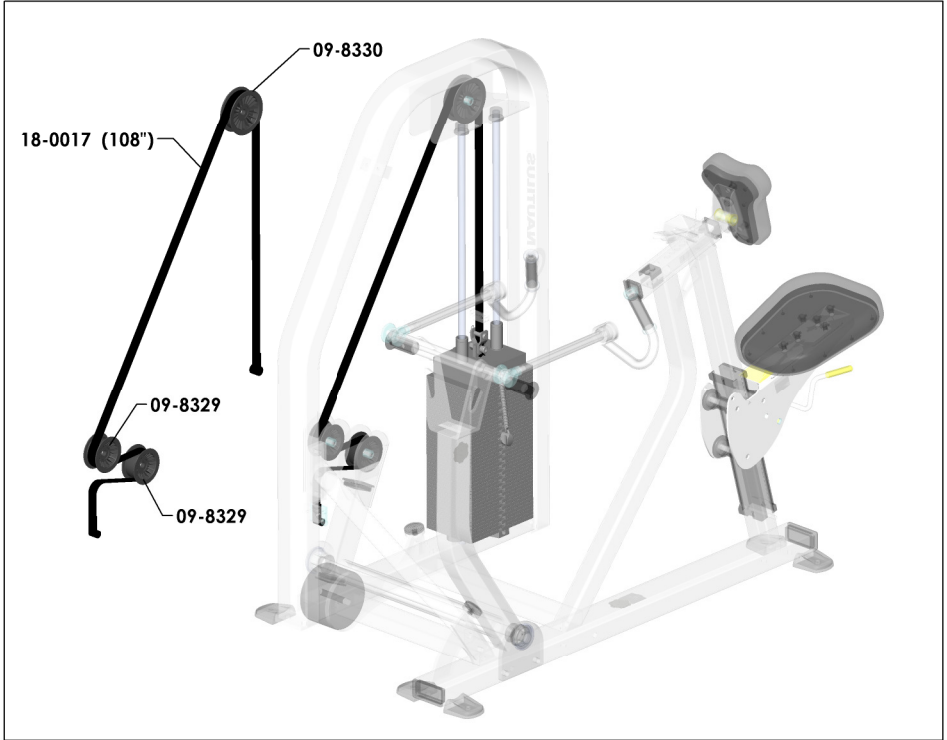
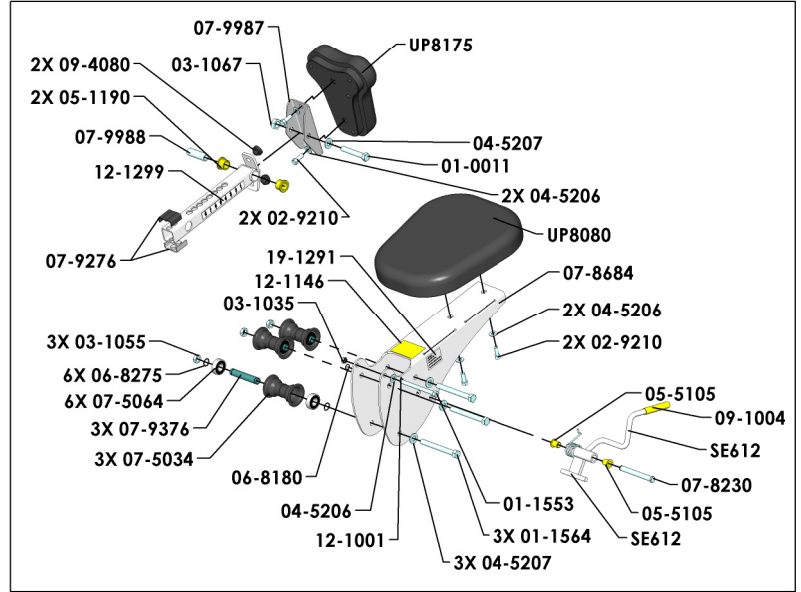
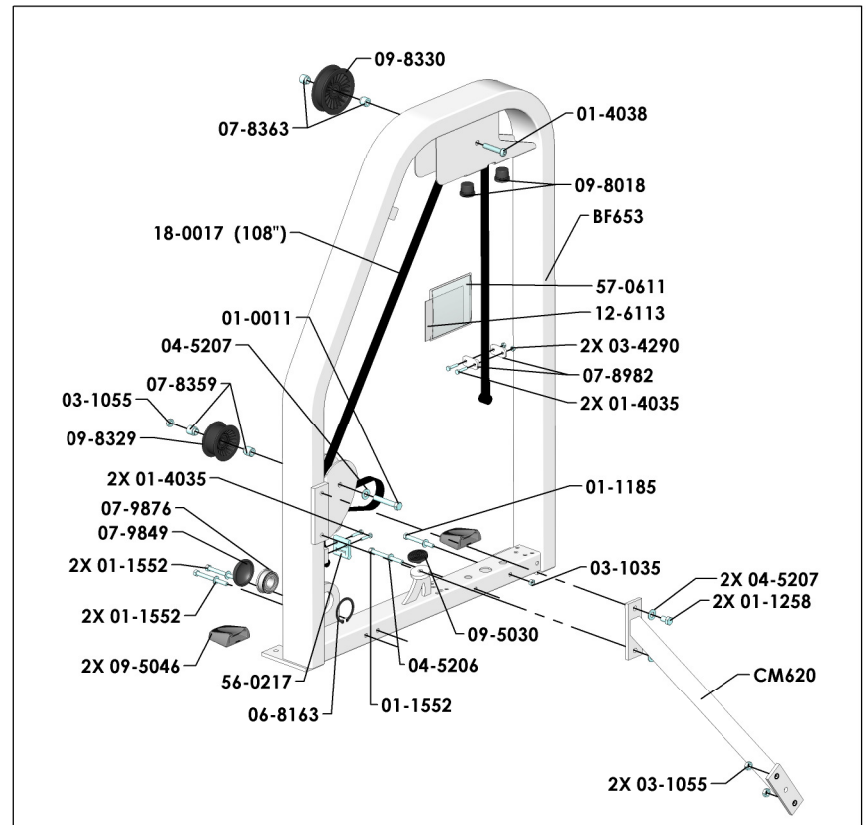
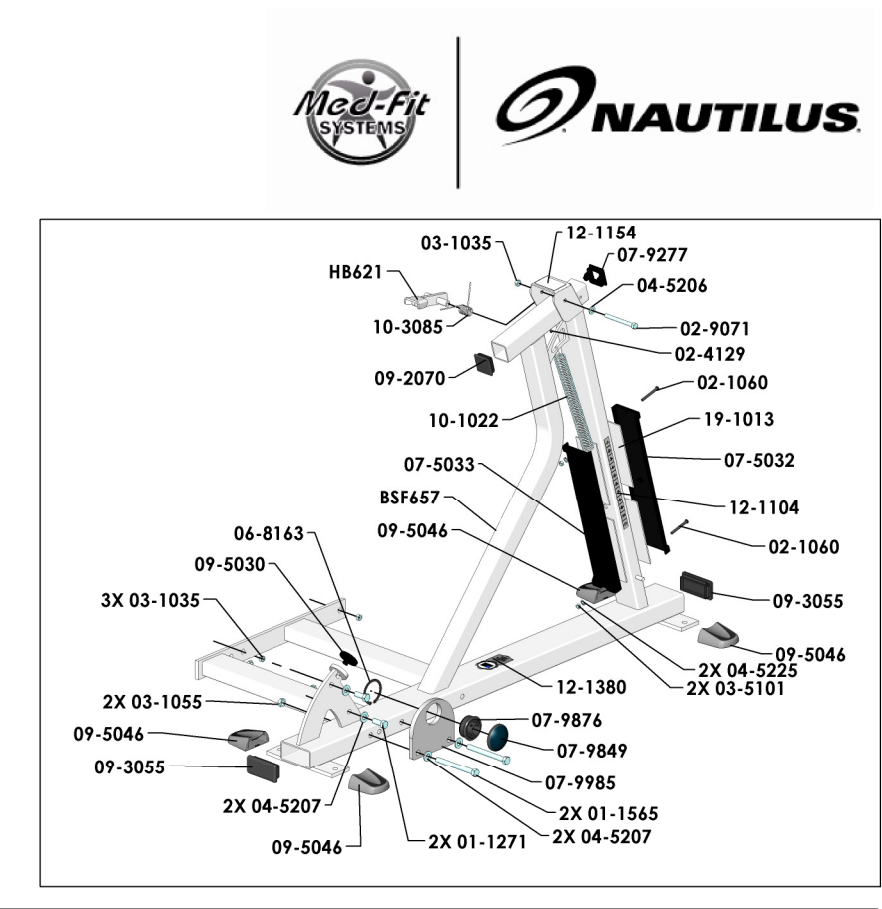
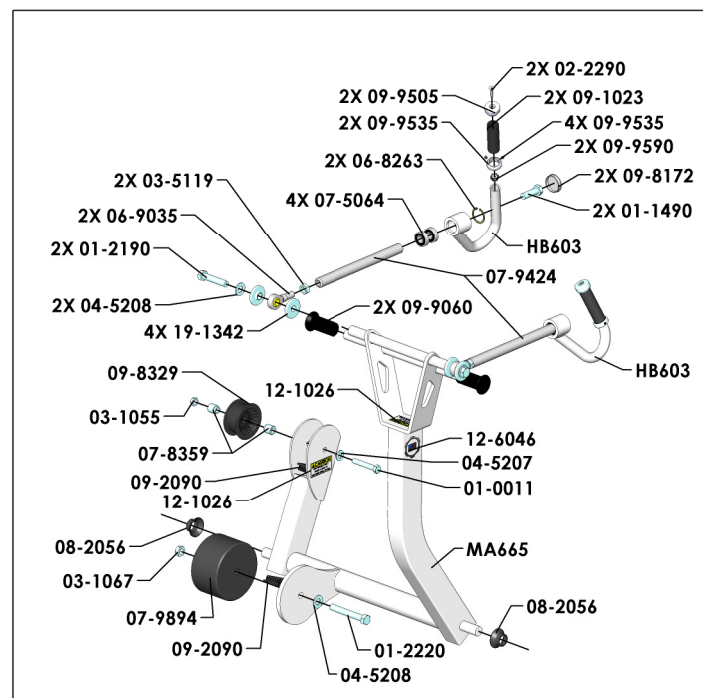
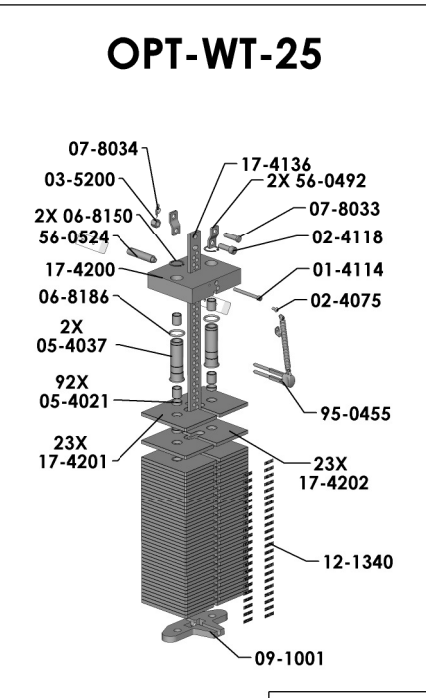
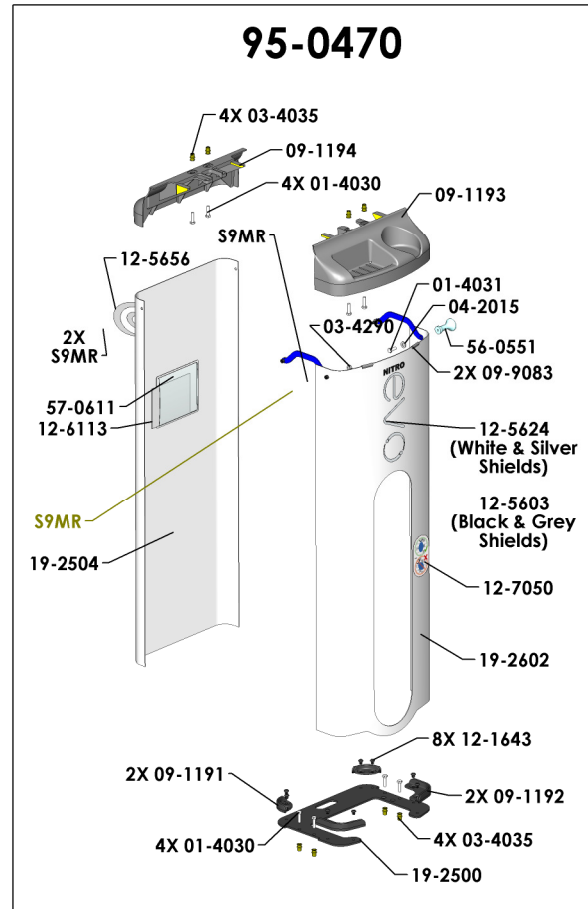
| Bolt Torque Specifications | | |
|----------------------------|-----------------|-----------------|
| Size | Grade 5 | Grade 8 |
| | Torque (ft-lbs) | Torque (ft-lbs) |
| 1/4-20 | 8 | 12 |
| 1/4-28 | 10 | 14 |
| 5/16-18 | 17 | 25 |
| 3/8-16 | 30 | 45 |
| 7/16-14 | 50 | 70 |
| 1/2-13 | 75 | 110 |
| 1/2-20 | 90 | 120 |
| 5/8-11 | 150 | 220 |
| 5/8-18 | 180 | 240 |

Customer Service & Parts 800/ 235-2233
 General Parts Requests: parts@medfitsys.com
 Warranty Field Service Requests: servicerequest@medfitsys.com
 Med-Fit Systems, Inc. 800/ 831-7665

www.medfitsystems.com

REV J

| Number | QTY. | DESCRIPTION |
|----------------|------|---|
| 01-0011 | 3 | 1/2 -13 UNC x 3 Bolt |
| 01-1185 | 1 | 3/8 -16 UNC x 3 1/2 Bolt |
| 01-1258 | 1 | 1/2 -13 UNC x 3/4 Bolt |
| 01-1271 | 2 | 1/2 -13 UNC x 1 1/4 Bolt |
| 01-1490 | 2 | 5/8-11 UNC x 2 Bolt |
| 01-1552 | 3 | 3/8 -16 UNC x 4 Bolt |
| 01-1553 | 1 | 3/8 -16 UNC x 4 1/2 Bolt |
| 01-1564 | 3 | 1/2 -13 UNC x 4 1/2 Bolt |
| 01-1565 | 2 | 1/2 -13 UNC x 5 Bolt |
| 01-2190 | 2 | 5/8-11 UNC x 3 Bolt |
| 01-2220 | 1 | 5/8-11 UNC x 4 1/2 Bolt |
| 01-4035 | 4 | 1/4 -20 UNC x 1 1/4 WIZ Lock Bolt |
| 01-4038 | 1 | BOLT BH, 1/2 -13 x 2 1/2" |
| 02-1060 | 2 | BOLT BH, 1/4 -20 x 2 1/4" |
| 02-2290 | 2 | 1/4 -20 UNC x 1 1/4 FLAT HEAD SC SCREW SS |
| 02-3055 | 4 | SCREW, SET, 1/4 -28 UNF x 1/4 |
| 02-4129 | 1 | SCREW, SET, 1/4 -20 UNC x 1/4 |
| 02-9071 | 1 | 3/8 -16 UNC x 3 3/4 Bolt |
| 02-9210 | 4 | 3/8 -16 UNC x 1 Bolt |
| 03-1035 | 6 | 3/8" Lock Nut |
| 03-1055 | 9 | 1/2" Nylon Insert Lock Nut-Thin |
| 03-1067 | 2 | 5/8" Lock Nut |
| 03-4290 | 2 | 1/4" Whiz Nut |
| 03-5101 | 2 | 1/4" Hex Nut |
| 03-5119 | 2 | 5/8" RH Fine Thread Jam Nut |
| 04-5206 | 10 | WASHER, FLAT, 3/8" SAE |
| 04-5207 | 12 | WASHER, FLAT, 1/2" SAE |
| 04-5208 | 3 | WASHER, FLAT, 5/8" SAE |
| 04-5225 | 2 | 1/4" Internal Loc Washer |
| 05-1190 | 2 | Bronze Bushing |
| 05-5105 | 2 | .500 ID Bushing (IGUS Replacement) |
| 06-8163 | 2 | Snap Ring, 2 1/4" External |
| 06-8180 | 1 | Snap Ring, 1/2" External |
| 06-8263 | 2 | Snap Ring, Internal, 1 9/16" |
| 06-8275 | 6 | Snap Ring, 17mm Heavy External |
| 06-9035 | 2 | ROD END 5/8-18 RH THREADS |
| 07-5032 | 1 | SEAT TRACK |
| 07-5033 | 1 | SEAT TRACK BACK |
| 07-5034 | 3 | SEAT ROLLERS |
| 07-5064 | 10 | 6203 RADIAL BEARING |
| 07-8230 | 1 | STANDARD SEAT CLEVIS PIN |
| 07-8359 | 4 | IDLER PULLEY SPACER |
| 07-8363 | 2 | IDLER PULLEY SPACER |
| 07-8684 | 1 | DOUBLE LOCK SEAT |
| 07-8982 | 2 | STRAP CLAMP END (5/16 HOLES) |
| 07-9276 | 2 | Nylon Slide - 1 1/2" Sq tube |
| 07-9277 | 1 | Molded Cap/Slide 2" SQ. Tube |
| 07-9376 | 3 | SEAT ROLLER SLEEVE |
| 07-9424 | 2 | Nitro LatPulldown Draglinks |
| 07-9618 | 2 | HEIM JOINT SPACER (ZINC PLATE) |
| 07-9849 | 2 | MOLDED BEARING CAP, TI SERIES |
| 07-9876 | 2 | 1" BEARING MOLDED FLANGE |
| 07-9894 | 1 | SPO COUNTERWEIGHT |
| 07-9985 | 1 | MOUNT, Bearing Pivot |
| 07-9987 | 1 | CHEST PAD MOUNT |
| 07-9988 | 1 | SEAT PIVOT SLEEVE |
| 08-2056 | 2 | MOLDED SHAFT SPACER |
| 09-1004 | 1 | .500 ID X 3" CLOSED END |
| 09-1023 | 2 | HAND GRIP OPEN ENDS |
| 09-2070 | 1 | 2 X 2 11 GA FRAME PLUG |
| 09-2090 | 2 | 2 X 3 X 11 GA FRAME PLUG |
| 09-3055 | 2 | 2 X 4 11 GA FRAME PLUG |
| 09-4080 | 2 | RUBBER BUMPER OLD RB#1 |
| 09-5030 | 2 | FOOTPAD MOLDED BLACK |
| 09-5046 | 6 | Nitro Plus Footpad |
| 09-8018 | 2 | GUIDE ROD BUSHING |
| 09-8172 | 2 | 1 3/4 DIA HOLE PLUG |
| 09-8329 | 2 | WIDE PULLEY 3" DIA |
| 09-8330 | 1 | REDIRECTIONAL PULLEY 4" |
| 09-9060 | 2 | SUPPORT SLEEVE |
| 09-9505 | 2 | GRIP CAP 1.030 ID (FOR 1" BAR) |
| 09-9535 | 2 | GRIP RING 1.045 ID (FOR 1" BAR) |
| 09-9590 | 2 | TUBE INSERT .760 ID PN3043-4-1 |
| 10-1022 | 1 | Extension Spring |
| 10-1025 | 1 | SPRING, TORSION |
| 10-3085 | 1 | MR TORSION SPRING |
| 12-1001 | 1 | SEAT INDICATOR BLACK |
| 12-1026 | 2 | DECAL, KEEP HANDS AWAY |
| 12-1104 | 1 | SEAT ADJUSTMENT DECAL 1-11 |
| 12-1146 | 1 | SEAT ADJ DECAL 1 |
| 12-1154 | 1 | MID ROW PAD ADJUST DECAL |
| 12-1299 | 1 | DECAL 1-8 BLACK HORIZONTAL |
| 12-1380 | 1 | DECAL PATENT MEDFIT MADE IN USA |
| 12-5611 | 1 | Nautilus Transfer Decal - Large BLACK |
| 12-6046 | 1 | Made In USA - Seat Frames |
| 12-6058 | 1 | PLACARD & SHIELD FRONT S9MR |
| 12-6071 | 1 | PLACARD & SHIELD BACK BF601 S9 |
| 12-7050 | 1 | EVO Weight Selector Pin Decal |
| 17-1260 | 2 | STANDARD 45" GUIDE ROD |
| 18-0017 (108") | 1 | MECTROL BELT 1" (108") |
| 19-1013 | 4 | TAPE DBL SIDED 2 3/4" WIDE |
| 19-1291 | 1 | SERIAL NO. DECAL |
| 19-1342 | 4 | ROUND CR 2" DIA 1018-1020 |
| 56-0217 | 1 | Clamp Belt ONE |
| 91-999 | 1 | Paint (1.5 lbs) |
| 95-0470 | 1 | Kit 1, EVO Shields |
| BF653 | 1 | MID ROW SIDE FRAME |
| BSF657 | 1 | NITRO MID ROW BASE |
| CM620 | 1 | MR CROSSMEMBER BRACE |
| CM621 | 1 | ADJUSTABLE SEAT BACK |
| HB603 | 2 | HANDLEBAR |
| HB621 | 1 | MID ROW TRIGGER ASSY |
| MA665 | 1 | NITRO MR MOVEMENT ARM |
| OPT-WT-25 | 1 | EVO 240 LB Weight Stack |
| SE612 | 1 | LAT PULL SEAT RELEASE HANDLE |
| UP8080 | 1 | TAPERED SEAT PAD |
| UP8175 | 1 | MID ROW CHEST PAD |
| 12-6113 | 1 | Decal, Parts Diagram EVO MR |
| 57-0611 | 1 | Pocket, Peel & Stick, Cardio Schematic |



EVO Mid Row S9MR

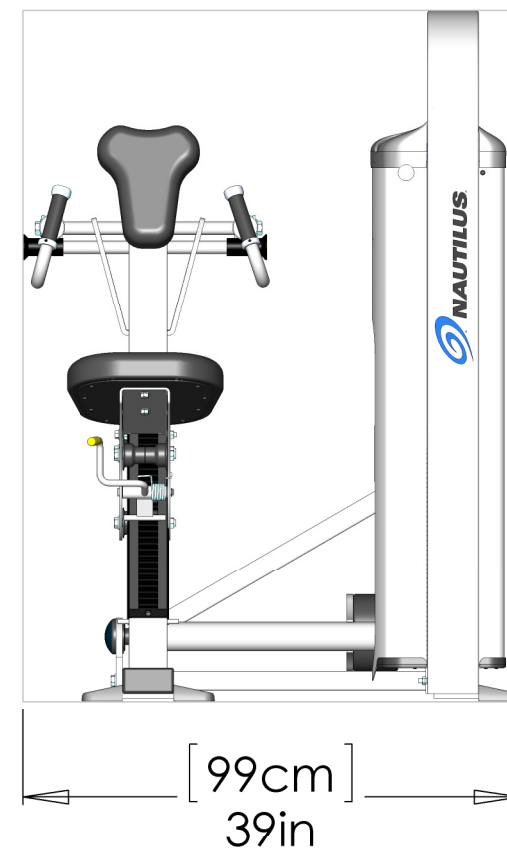
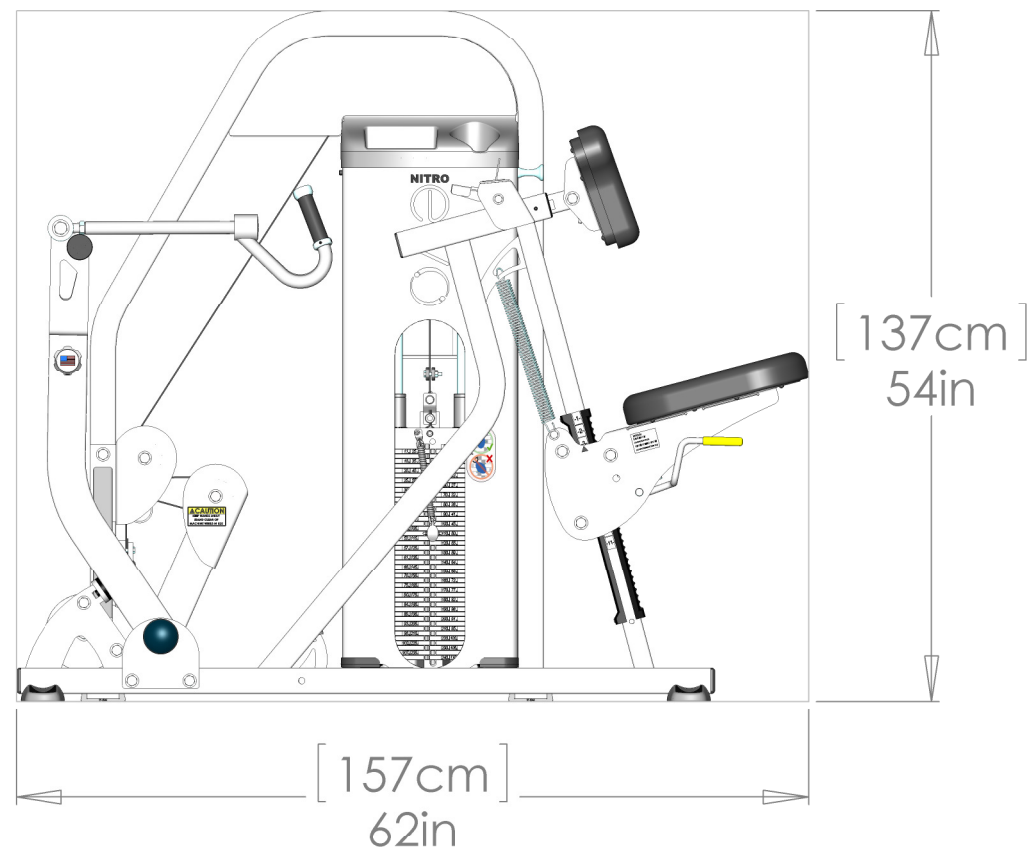
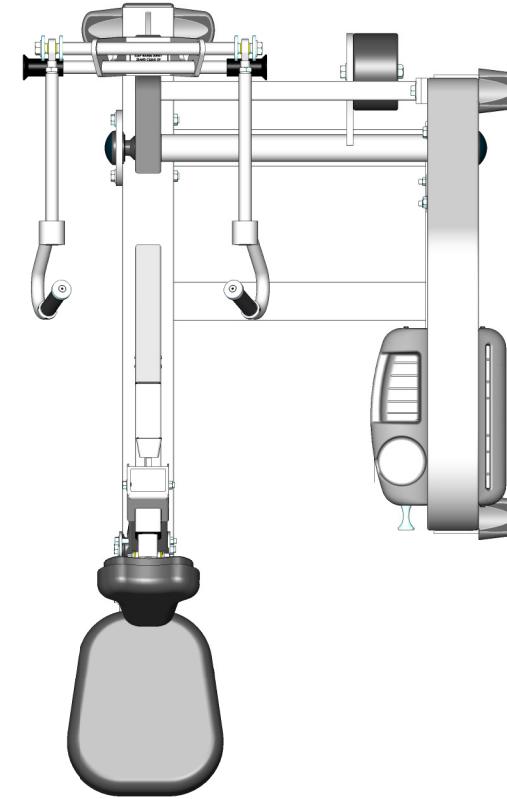
Customer Service & Parts 800/ 235-2233
 General Parts Requests: parts@medfitsys.com
 Warranty Field Service Requests: servicerequest@medfitsys.com
 Med-Fit Systems, Inc. 800/ 831-7665

www.medfitsystems.com

| Size | Grade 5 | Grade 8 |
|---------|-----------------|-----------------|
| | Torque (ft-lbs) | Torque (ft-lbs) |
| 1/4-20 | 8 | 12 |
| 1/4-28 | 10 | 14 |
| 5/16-18 | 17 | 25 |
| 3/8-16 | 30 | 45 |
| 7/16-14 | 50 | 70 |
| 1/2-13 | 75 | 110 |
| 1/2-20 | 90 | 120 |
| 5/8-11 | 150 | 220 |
| 5/8-18 | 180 | 240 |



| | |
|--------------|---------------|
| 9/20/2012 | S9MR |
| Units | Weight |
| lbs | 558 |
| kg | 253 |



Customer Service & Parts 800/ 235-2233
General Parts Requests: parts@medfitsys.com
Warranty Field Service Requests: servicerequest@medfitsys.com
Med-Fit Systems, Inc. 800/ 831-7665

www.medfitsystems.com

EVO Mid Row
S9MR
REV J